

ALPHA™

Solar Flood Light



Our budget friendly Alpha Solar Flood Light can be used in garden, courtyards, Landscapes, Billboard as well as on building for extra parking lot light. You don't have to invest thousands of dollars over the next decade paying for the power to run it. Instead, that free renewable energy from the sun keeps your home or business lit and secure. No messy wiring into an electrical system, they are very easy to install that just about anyone can do it.

50% and remaining hours at 30% when motion is detected power turns to 100%.

- 130 Lumen per watt and IP67 rated
- PWM and MPPT Controller automatically track the maximum power point according to the weather verification.
- 3 Years limited warranty on all components
- Bracket Option: Yoke mount and Slip Fitter

- Adjusting the solar panel angle maximizes solar collection and allows snow to slide off
- The solar flood light has separate solar panel to collect the energy from sun.
- These flood light have smart controller that enables the power brightness, and lighting time to be adjusted via remote control.
- The light automatically switches on at dusk and switches off at dawn. Permanent lighting for first 4 hours at 100%, 4 hours at



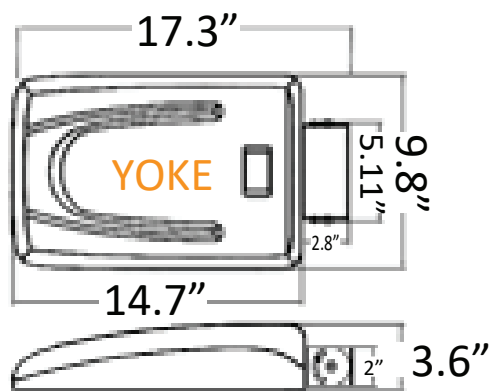
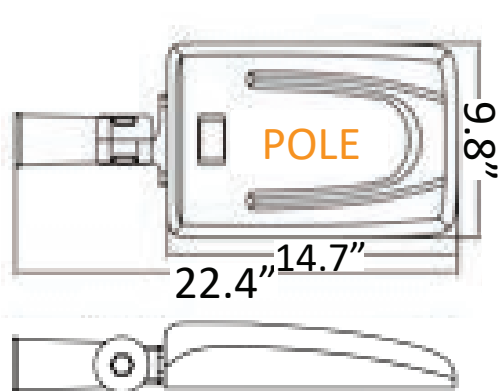
Pole Mount



ALPHA™ Solar Flood Light

Specifications

Model #	SKU #	Power	PV Type	Solar Panel	Lithium Battery	Lumens	CCT	Controller	Beam Angle	IP Rating
AVS-SFL15W - Yoke	786500	15W	MONO	45W	16AH	2200LM	5000K	PWM	140°	IP67
AVS-SFL20W - Yoke	786600	20W	MONO	60W	24AH	2800LM	5000K	PWM	140°	IP67
AVS-SFL30W - Yoke	786700	30W	MONO	80W	32AH	4200LM	5000K	MPPT	140°	IP67
AVS-SFL40W - Yoke	786800	40W	MONO	90W	40AH	5500LM	5000K	MPPT	140°	IP67
AVS-SFL50W - Yoke	786900	50W	MONO	100W	45AH	6200LM	5000K	MPPT	140°	IP67
AVS-SFL60W - Yoke	786000	60W	MONO	110W	53AH	7200LM	5000K	MPPT	140°	IP67
AVS-SFL15W - Pole	786502	15W	MONO	45W	16AH	2200LM	5000K	PWM	140°	IP67
AVS-SFL20W - Pole	786602	20W	MONO	60W	24AH	2800LM	5000K	PWM	140°	IP67
AVS-SFL30W - Pole	786702	30W	MONO	80W	32AH	4200LM	5000K	MPPT	140°	IP67
AVS-SFL40W - Pole	786802	40W	MONO	90W	40AH	5500LM	5000K	MPPT	140°	IP67
AVS-SFL50W - Pole	786902	50W	MONO	100W	45AH	6200LM	5000K	MPPT	140°	IP67
AVS-SFL60W - Pole	786002	60W	MONO	110W	53AH	7200LM	5000K	MPPT	140°	IP67



Correlated Color Temperature

5000K



Cool White

Neutral White

Warm White



ALPHA™ Solar Flood Light

Product Design and Benefits

The Solar Billboard Light / Solar Sign Light uses 100% less power than traditional flood lights. The battery, solar controller, and sensor are built-in, and only need to be connected to an 18V panel via a MC4 plug. No other operations are needed, which allows for an easy and quick installation. Also, these lights have a smart controller that enables the power brightness, and lighting time to be adjusted via remote control.



LED Power

This Solar Billboard Flood Light uses 72 pieces of Philips Lumileds 1W SMD3030 as a light source, the 72 pieces of LEDs are spread as 4 pieces in series connection and 18 pieces in parallel connection.



Solar Controller

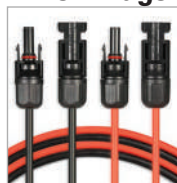
Battery Pack



Motion Sensor



MC4 Plugs



Solar Cable



Remote Control



PHOTOMETRIC SPECIFICATIONS

Model No.	AVS-SFL15W - Pole	AVS-SFL20W - Pole	AVS-SFL30W - Pole	AVS-SFL40W - Pole	AVS-SFL50W - Pole	AVS-SFL60W - Pole
Wattage	15 W	20 W	30 W	40 W	50 W	60 W
LED No.	72 pcs of Philips Lumileds 1W SMD3030 - 6V 150mA					
Beam Angle	140° x 70°					
Luminous flux	>2200 Lm	>2800 Lm	>4200 Lm	>5500 Lm	>6200 Lm	>7200 Lm
CCT						
CRI	>82					



ALPHA™ Solar Flood Light

Product Structure

The Solar Sign Light has a streamlined design that is made of Aluminum Die Casting.



ALPHA™ Solar Flood Light

Operation

1. Use the MC4 connector to plug the light into the solar panel.
2. Press the button on the main body to switch to the ON position to make the light turn on automatically after sundown.

(the lighting mode was set by the factory before delivery)

3. The Solar Billboard Light / Solar Sign Light is now ready for use. You can also use the remote control to change the lighting modes or brightness.
4. Press the button into the OFF position then the light will stop working, or use the remote control to turn off the light.



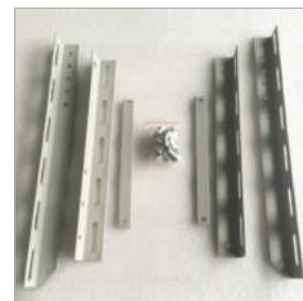
Solar Billboard Flood Light

Easy Installation

The Included Accessories are The Solar Billboard Light / Solar Sign Light, solar panel, and solar panel adapter bracket with screws.



Solar Panel



Solar Panel Adapter Bracket With Screws



1. Assemble the solar panel bracket with the screws



2. Attach the solar panel bracket to the solar panel



3. Connect the other side of the solar panel



4. Mount the solar panel on the desired surface



5. Attach the light into place for ideal lighting

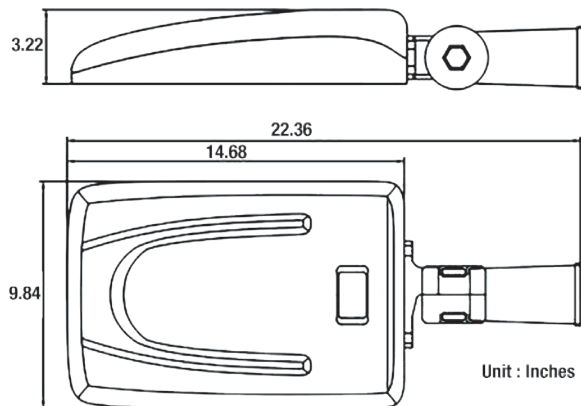


ALPHA™ Solar Flood Light

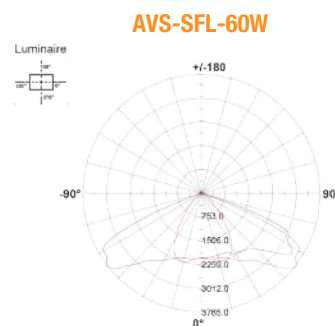
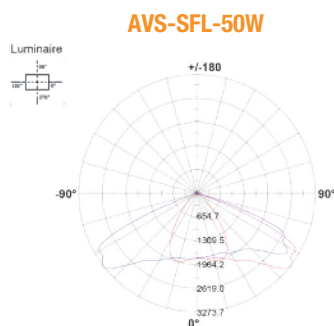
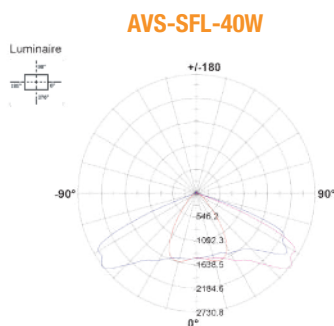
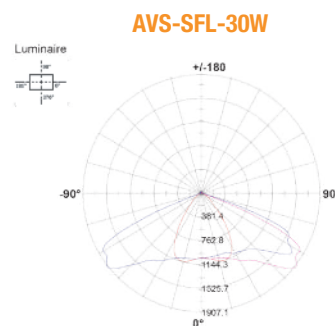
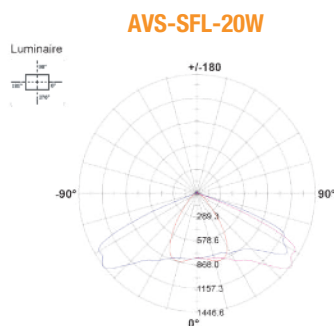
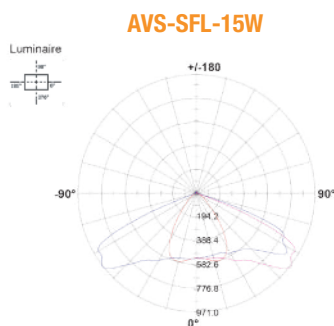
Dimensions & Light Distribution



Product Dimensions



Median Plane Light Distribution



MECHANICAL SPECIFICATIONS

Model No.	AVS-SFL15W - Pole	AVS-SFL20W - Pole	AVS-SFL30W - Pole	AVS-SFL40W - Pole	AVS-SFL50W - Pole	AVS-SFL60W - Pole
Wattage	15 W	20 W	30 W	40 W	50 W	60 W
Solar Connection	MC4 male & female plugs - 2.5mm² power cord					
IP Rating	IP67 Waterproof					



ALPHATM

Solar Flood Light

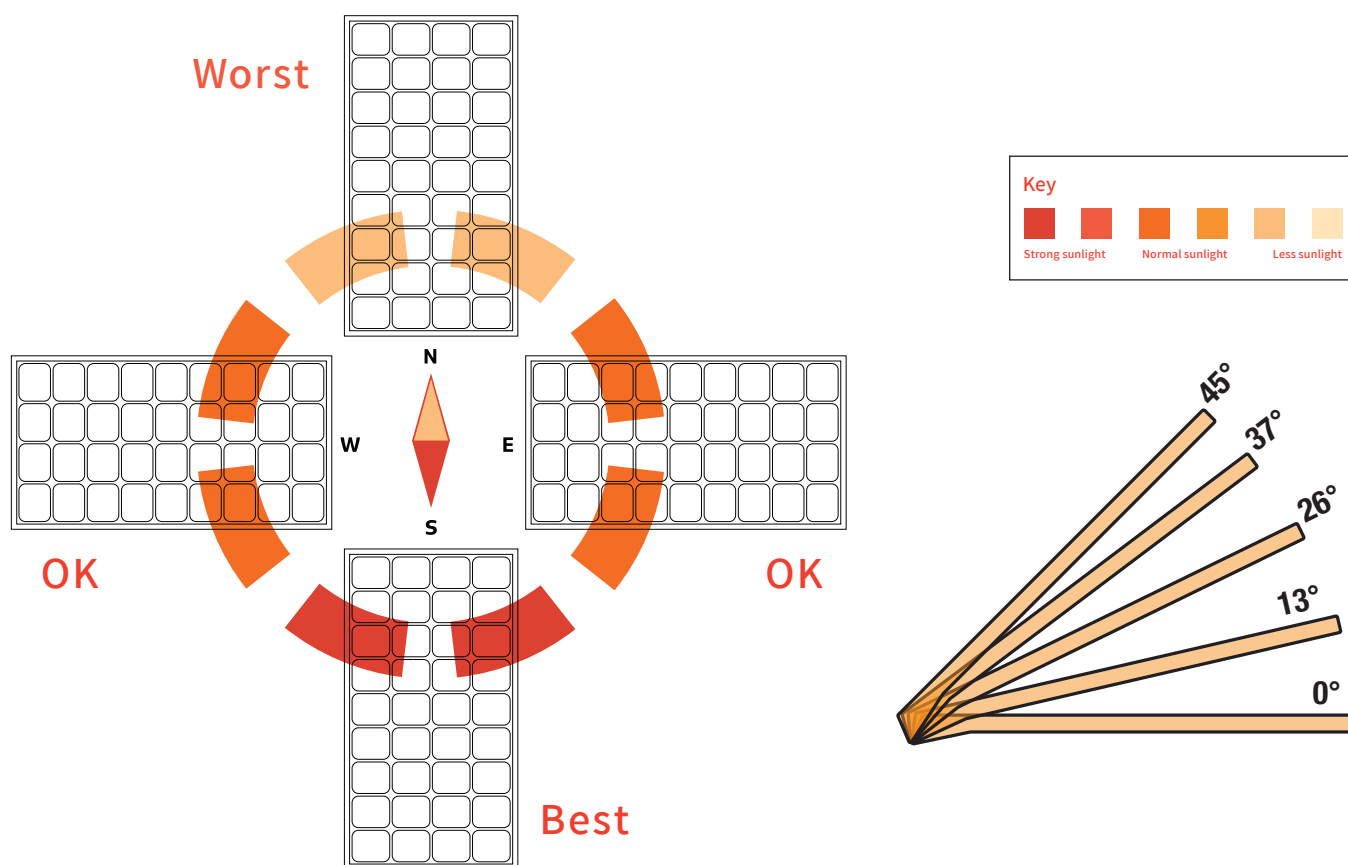
Optimum Panel Orientation

The Solar charge in a battery pack won't last forever. The off-grid system relies on stored solar energy for autonomy. Angling your solar panels properly can boost the power intake of your solar lighting system. You want to angle your solar panels at a tilt based on the area's latitude.

Tip for Maximum Power

You can increase the tilt 15° in the winter or decrease 15° in the summer. In this way you can get the maximum sunlight to recharge the battery.

Best Facing Direction of Solar Panel

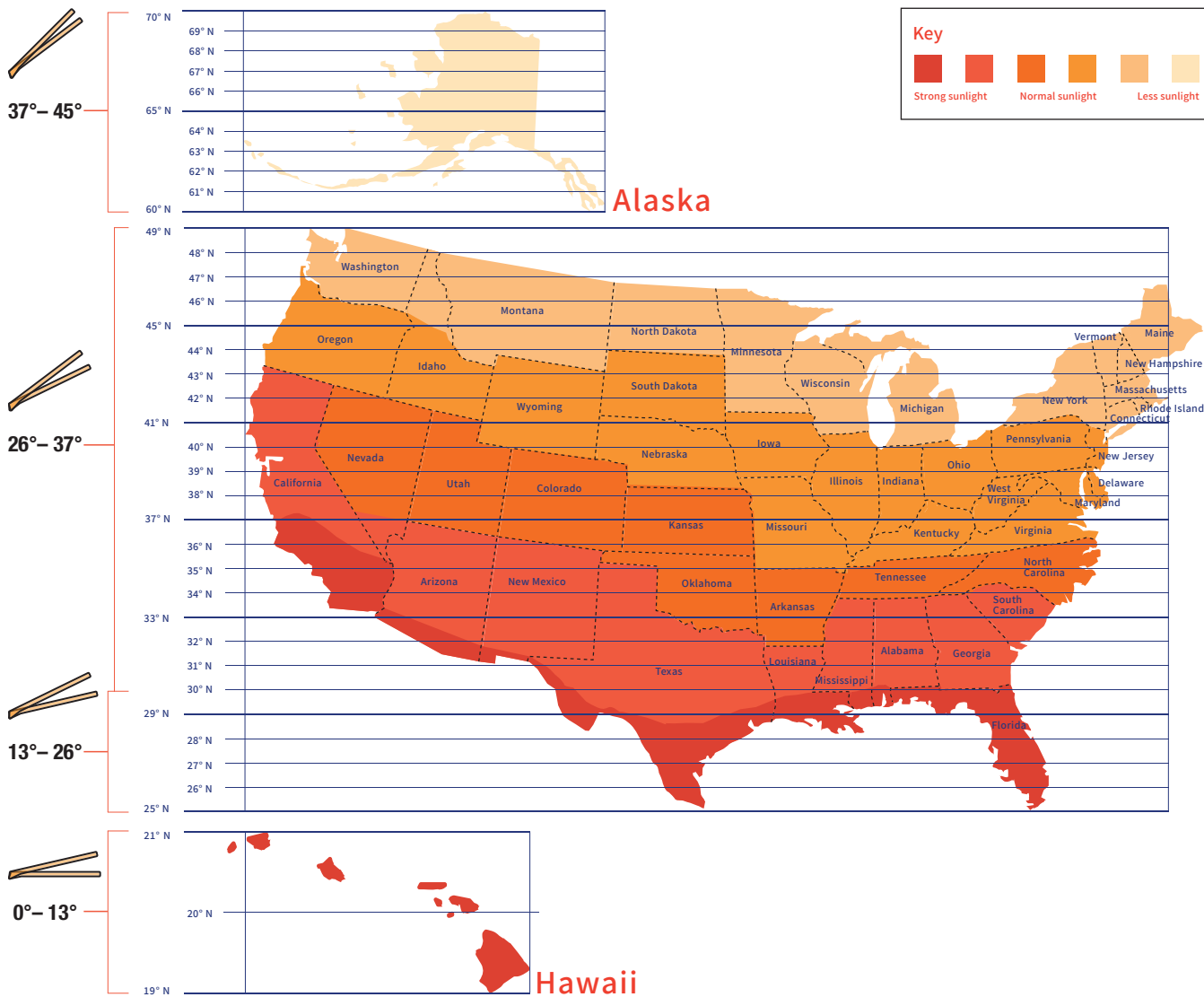


The area will dictate the installation of the fixtures and will sometimes prevent the lights from facing south. Panels facing West & East won't get as much light as Southern facing panels, but will still collect a good amount of sunlight. A North facing panel also works, but it will take longer to charge than any other direction. This would mean that the solar charge will be less optimal if installations are facing North.

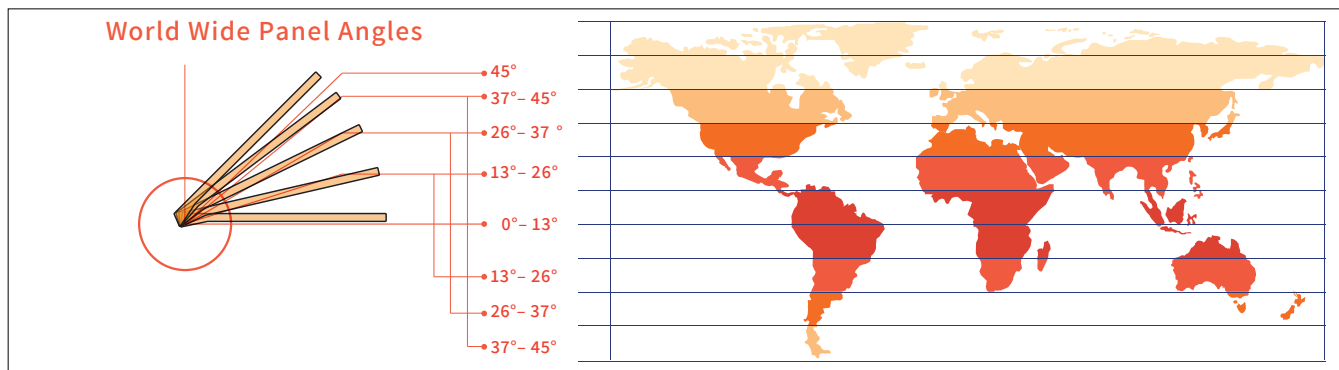


ALPHA™ Solar Flood Light

Optimum Panel Orientation



SOLAR FLOOD LIGHTS



ALPHATM Solar Flood Light



ENERGY SAVING

Energy saving by 100% less power consumption than traditional flood light, endless power generated from solar.

HIGH LUMENS

Adopting 72pcs of Philips 1W SMD LED, driving by lower current, achieve more than 150lm/W as practical lumens output.

IP67 WATERPROOF

Designed based on water flow idea, with round corner, screws are sealed by rubber cover, fixtures are fixed tightly and properly, IP67 waterproof standard.

SOLAR CONNECTION

MC4 male & female plugs directly to 18V solar panel. quick and easy for connection. 2.5mm² power cord for less voltage drop.

COMPACT SYSTEM

Battery and solar controller, sensor are built-inside of light, only need to be connected to 18V system, NO more other operation, easy ,simple and quick installation.



Troubleshooting



Problem	Problem Cause	Solutions
Lamp doesn't work at all	Light source is damaged	Replace it with the same light source
	The battery has run down	Charging the battery
	Light doesn't work in day time	Changing the light setting with remote control
Battery can't get charged	Positive & negative of solar panel are connected conversely.	Connect the positive & negative of solar panel to a correct position.
	Positive & negative of the solar panel are connected conversely.	Connect the positive & negative of solar panel to a correct position.



ALPHA™ Solar Flood Light

Application

